

IG-710/BT

IP 54 Area Image Barcode Scanner



Introduction

IG710/IG710BT is a brand new rugged gun-type handheld area imager bar code scanner, which supports IP54 water and dust protection, is designed especially for retail, logistic, health-care and warehousing management market. We include friendly functions and with replaceable multiple interface cable options that makes it more easily to be operated by customers to accommodate it to user's environments. It supports up to 500mm reading depth of 1D and 2D barcode, its scan rate is up to 120 scans per second in linear emulation and 60 images per second in 2D area mode. Based on CMOS technology for optimal image sensitivity and dynamic range, the IG710 features scanning speeds two times faster than traditional 2D imagers.

IG710BT equips with Class1 Bluetooth V2.1 EDR technology with transmission range up to 100m / 328.08 ft. in line of open sight, supports both SPP and HID profiles can easily pair up with other Bluetooth V2.1 compatible mobile equipments or systems.

In short, IG710/BT is a high performance rugged gun-type handheld area imager scanner which provides customers with the most cost-effective solution in the market and perfectly suitable and definitely the best choice for any retail and logistic , health-care environment.

Features

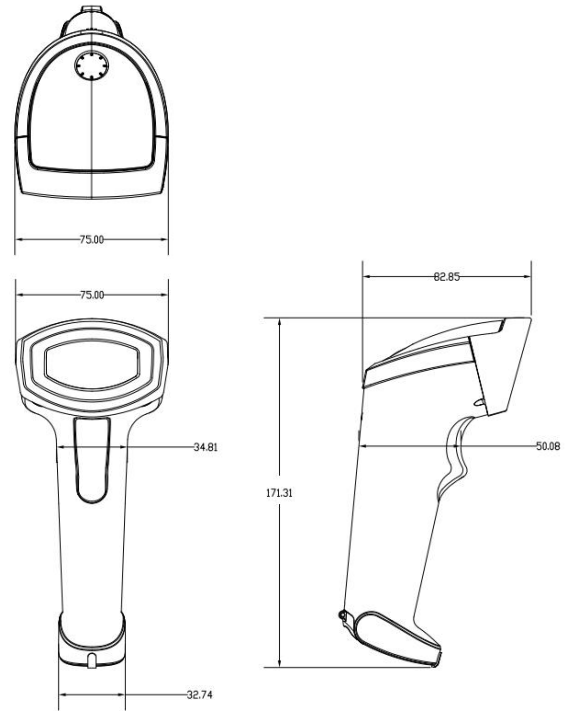
- Support 1D and 2D barcodes.
- Short/long distance dual lenses.
- Automatic detect reading mode.
- 3 in 1 combo interface that changes interface by replacing cable.
- Rugged casing that supports IP54 dropping from 1.8m.
- Bluetooth V2.1 Class 1 technology, range up to 100m in line of open sight.
- Bluetooth supports HID and SPP profiles.
- Support batch transmission mode, memory capacity stores up to 30,000 inputs of EAN13 barcodes.

IG-710/BT

Reading Range

Focus Range	Near	Far
5.0 mil Code 39	1.9 in./4.7 cm	7.7 in./19.4 cm
20 mil Code 39	Field of view limited	24.0 in./60.9 cm
6.67 mil PDF417	2.7 in./6.8 cm	7.0 in./17.9 cm
15 mil PDF417	Field of view limited	13.2 in./33.5 cm
10 mil Datamatrix	Field of view limited	8.3 in./21.0 cm
13 mil 100% UPC	2.8 in./7.2 cm	16.8 in./42.4 cm

(Note: Near distance is field of view limited by barcode size)



Specifications

Physical Characteristics

Body weight	Approx. IG710 166g, IG710BT 228g (incl. Battery)
Cradle weight	Approx. 147g / 5.18oz
Dimension	Scanner : 75mm(W) x 171.31mm(H) x 82.85 mm(L) Cradle : 112.18mm(W) x 84.64mm(H) x 130.6 mm(L)
Cable Length	5ft (150cm)
Material	ABS Plastic and Rubber
Connector	RJ 45C 10Pins

Performance

Light source	Visible red light 625nm LED
Scan Speed	120 scans per second in 1D mode 60 images per second in 2D mode
Resolution	752 (H) x 480 (V) pixels
View of field	40° Horizontal, 25° Vertical
Forward & Backward (Pitch)	±60° (from front to back)
Left & Right (Skew)	±60° (from plane parallel to symbol(side- to-side))
Rotational Tolerance	±180°
Interface	RS-232, USB (HID KBW or Virtual comport)
Indicators	Green = good read

Electrical Characteristics

Interface	RS232	USB(HID KBW)	USB(Virtual Com.)
Supply Voltage	DC Adaptor	USB Power DC +5V 5%	USB Power
Stand by (Typ.)	280 mA	280 mA	280 mA
Operation (Typ.)	325 mA	300mA	300 mA

Environmental

Operating Temp.	0°C to 50°C (32°F to 122°F)
Storage Temp.	-20°C to 70°C (-4°F to 158°F)
Relative Humidity	20% to 95% (Non-condensing)
Ambient light	100,000 Lux Max. (Sunlight)
Sealing	Designed to IP54 water and dust protection

Reliability

Life Time

Trigger Switch	100,000 times
MTBF(Calculated)	50,000 hours

Thermal Shock

High Temp.	50°C (122°F)
Low Temp.	-20°C (-4°F)
Cycle time	30 minutes for high temp. , 30 minutes for low temp.
Cycles	24 cycles

Cable Bending Test

Cable Bending Test	25,000 times minimum (30 times/min @ 500g/90°)
Drop	70.86 inches(180cm) drop on concrete surface

Readable Symbologies

1D Symbologies

EAN/UPC, UCC/EAN128, ISBN, ISBT, Code 11, Code 39, Code 93/93i, Code 128, Interleaved, Matrix, Industrial, Standard 2 of 5, Codabar, MSI, Plessey, Telepen, Postal codes, GS1 DataBar

2D Symbologies

Data Matrix, Data Matrix Inverse, PDF 417, Micro PDF 417, Maxicode, QR code, QR code Inverse, Aztec (& Inverse), EAN.UCC composite, MicroQR code

Due to Champtek's / Scantech ID's continuing product improvement programs, specifications and features are subject to change without notice.